

Digger King 1.7 Ton Digger Specifications

SPECIFICATIONS

Operating Weight	1650
Bucket Capacity	0.045
Bucket Type	Backhoe
Kubota	1400
Displacement	0.854
Engine power / rpm	18HP / 2200
Max. Torque	51.9 / 1600
km / h	1.5
Swing Speed rpm	11
Max. Grade Ability	30°
Max. Digging Force kN	10.5
Bucket Digging Force kN	6.5
Max. Tractive Force kN	13.5
Ground Pressure kPa	35
Track Material	Rubber
Crawler Tension Device	Butter Oil Cylinder
Breakout Force	13.3 kN

HYDRAULIC AND LIQUID CAPACITY

Pump Type	Gear Pump
Pressure	16Mpa
Displacement	23.3 L/min
Capacity of Hydraulic Tank	15.3 L
Engine Oil Capacity	2.8L (1.3)L
Fuel Tank Capacity	19L

OPERATING RANGE

Max. Digging Radius on Ground	3470
Max. Digging Radius	3560
Max. Digging Depth	2150
Max. Digging Height	3275
Max. Dumping Height	2310
Min. Vertical Digging Depth	1740
Min. Turning Radius	1440
Max. Lift of Dozer	262
Max. Depth of Dozer Blade	192

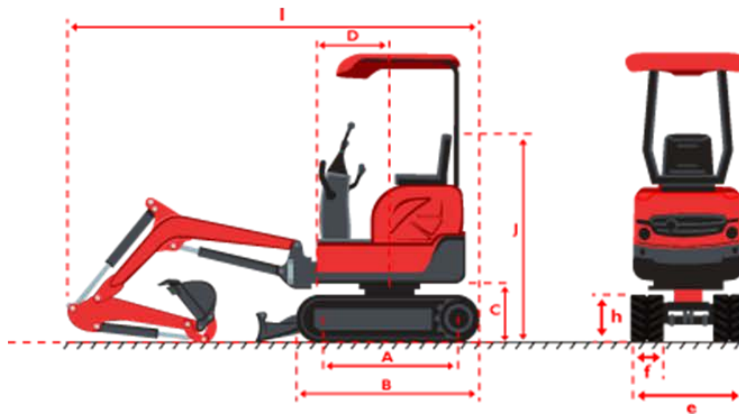
MAIN DIMENSION

Wheel Track	1130
Track Length	1450
Upper Chassis Ground Clearance	437
Counter Weight Turning Radius	740
Chassis Width	1110
Track Width	230
Track Length	320
Transportation Length	3160
Height of Seat to Ground	1637
Total Height	2377

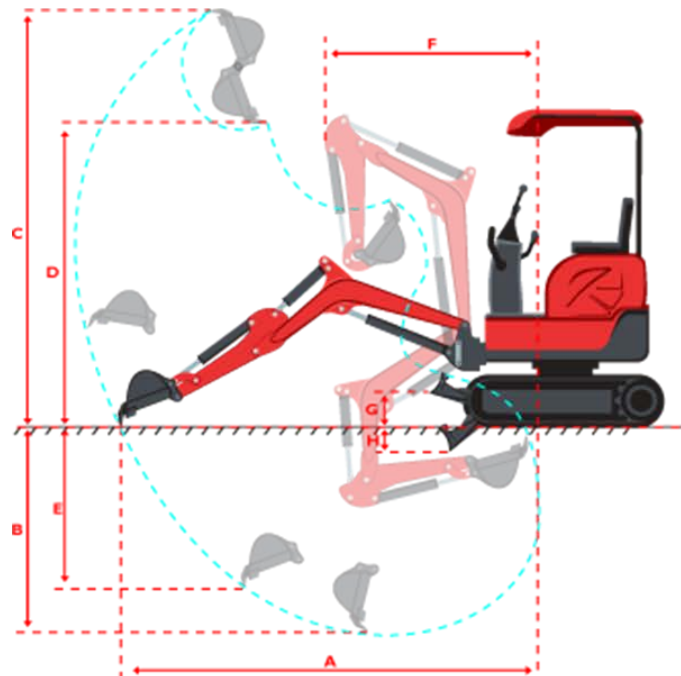
SPECIFICATIONS

Load capacity – 250 kg
Weight – 1650 kg
Width – 1130mm
Dimensions – 2770 mm (L) x 1130 mm (W) x 1330 mm (H)
Warranty – 12 months parts and labour, 36 month parts warranty

Digger King 1.7 Ton Digger Dimensions



WHOLE SIZE		mm
A	Wheel base	1130
B	Length of caterpillar track	1450
C	Platform ground clearance	437
D	Rear-end swing radius	740
E	Width of chassis	1040
F	Width of track	180
G	Height of track	320
H	Overall length for transportation	3160
I	Height of cabinet to floor	1637
J	Whole height	2377



OPERATING RANGE		mm
A	Max Digging radius at ground	3470
B	Max Digging radius	3560
C	Max Digging depth	2150
D	Max Digging height	3275
E	Max Dumping height	2310
F	Max Vertical digging depth	1740
G	Min gyration radius	1440
H	Max lifting height of dozer blade	262
I	Max lifting depth of dozer blade	192